

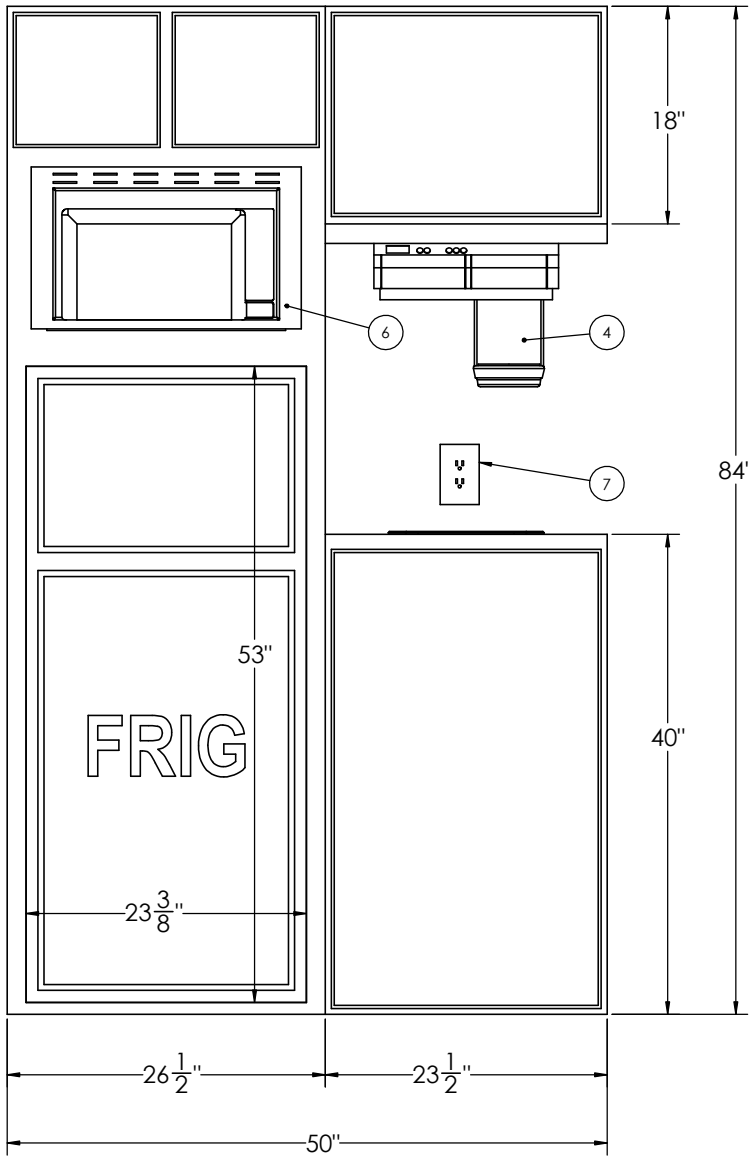
BOM TABLE				
ITEM NO	PART NO	FILE NAME	DESCRIPTION	QTY
1		CABINET, FRIG-MICRO KITCHENETTE		1
2		CABINET, LOWER COM CTR KIT		1
3		CABINET, UPPER COM CTR KIT		1
4	03192	COFFEE MAKER		1
5		FRIG	7.0 cu ft 2-WAY	1
6		MICROWAVE, IN CABINET	Advent .9 cu ft	1
7	11978	OUTLET, ELECTRICAL	120V 15A INTERIOR	1
8		SINK, SINGLE BOWL SST	13 x 17 Single Bowl	1

ALL LOCATIONS ARE NOMINAL UNLESS CRITICAL DIMENSIONS ARE SPECIFICALLY NOTED

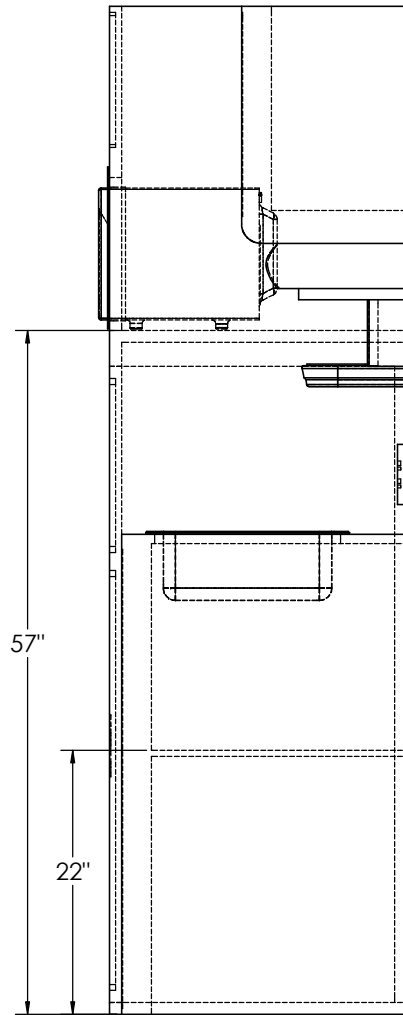
PROPRIETARY AND CONFIDENTIAL:
THE INFORMATION CONTAINED IN THIS DRAWING IS THE SOLE PROPERTY OF THE ALUMINUM TRAILER COMPANY. ANY REPRODUCTION IN PART OR AS A WHOLE WITHOUT THE WRITTEN PERMISSION OF THE ALUMINUM TRAILER COMPANY IS PROHIBITED.



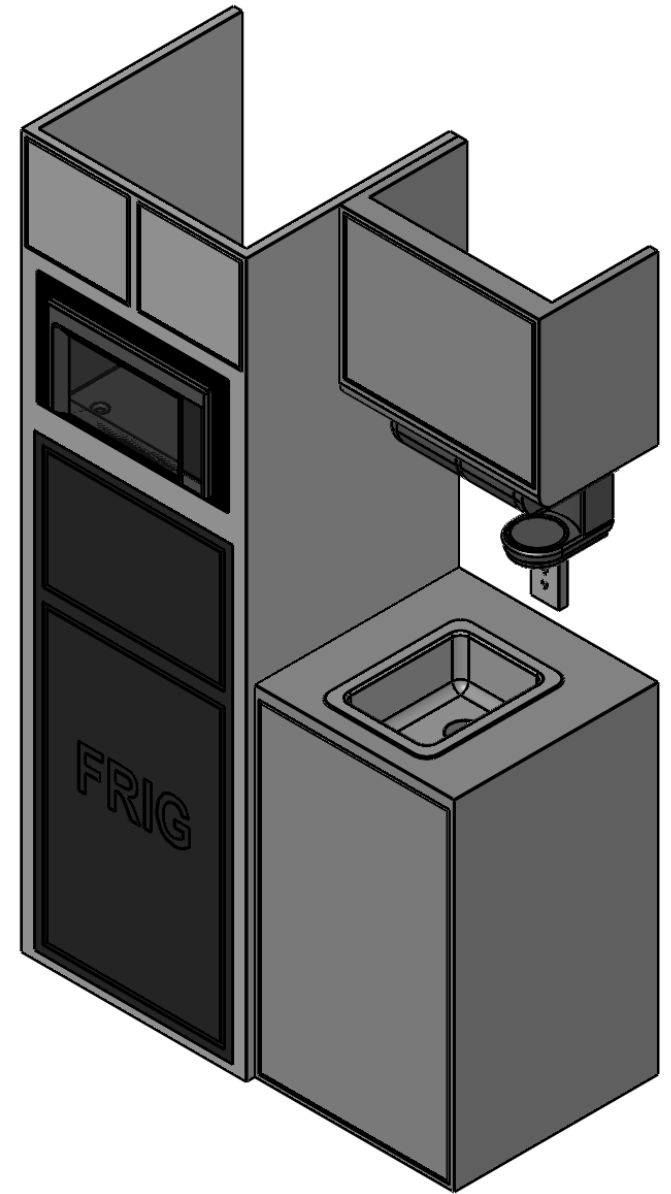
TITLE: KITCHENETTE PACKAGE			
DRAWN BY:	DATE: 11/14/16	VIN/PART #	REV.
		STD PKG	
FILE NAME: KITCHENETTE PACKAGE			
SCALE: 1:6	DATE PRINTED: 11/14/2016	SHEET 1 OF 2	




FRONT VIEW



SIDE VIEW



ISO VIEW

	TITLE: KITCHENETTE PACKAGE			
	DRAWN BY:	DATE:	VIN/PART #	REV.
		11/14/16	STD PKG	
	FILE NAME: KITCHENETTE PACKAGE			
SCALE: 1:8		DATE PRINTED: 11/14/2016		SHEET 2 OF 2