

BOM TABLE				
ITEM NO	PART NO	FILE NAME	DESCRIPTION	QTY
2		CAB. LINEN FF S3-PKG-		1
3		CAB. STORAGE FF S3-PKG		1
4		CABINET, VANITY FF S3-PKG-		1
5		COVER, WATER FILL		1
6	20064	FILL, WATER	City+Gravity	1
7	13518	FIRE EXTINGUISHER		1
8	12265	LIGHT, DOME	SURFACE MOUNT	3
9	14084	LP DETECTOR		1
10		LP TANKS	(2) 20# TANKS	1
11		MIRROR		1
12	12492-w/12494-b	MONITOR PANEL, TANKS	3 TANK	1
13	11978	OUTLET, ELECTRICAL	120V 15A INTERIOR	1
14	14618	ROOF VENT	12V	1
15	13849	SEWER HOSE COMP.		1
16	13779	SHOWER	S-36 X 28 SHOWER	1
17	13798	SINK, OVAL SST 13.25 x 10.5 x 5		1
18	37019	TOILET		1
19		WASTE TANK, CS TONGUE	42GAL - 21054	1
20		WASTE TANK, RS TONGUE	42GAL - 21053	1
21	10545	WATER HEATER, SUBURBAN	6GAL	1
22	14119	WATER TANK	W0926 42 GAL	1

ALL LOCATIONS ARE NOMINAL UNLESS CRITICAL DIMENSIONS ARE SPECIFICALLY NOTED

PROPRIETARY AND CONFIDENTIAL:
 THE INFORMATION CONTAINED IN THIS DRAWING IS THE SOLE PROPERTY OF THE ALUMINUM TRAILER COMPANY. ANY REPRODUCTION IN PART OR AS A WHOLE WITHOUT THE WRITTEN PERMISSION OF THE ALUMINUM TRAILER COMPANY IS PROHIBITED.

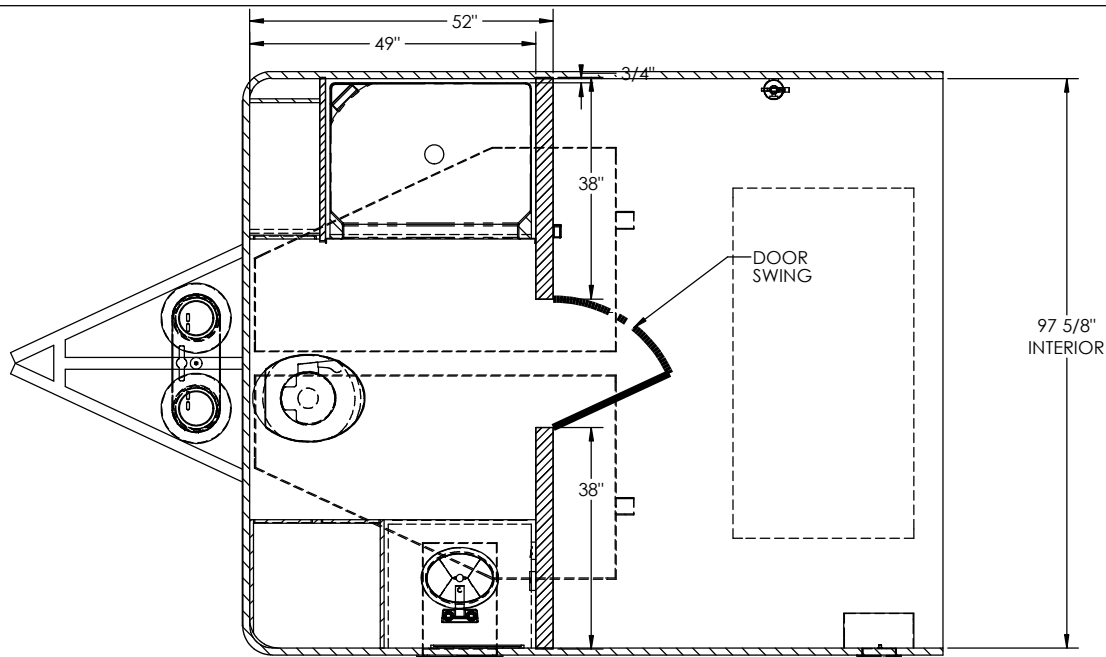


TITLE: S3 - FLAT FRONT

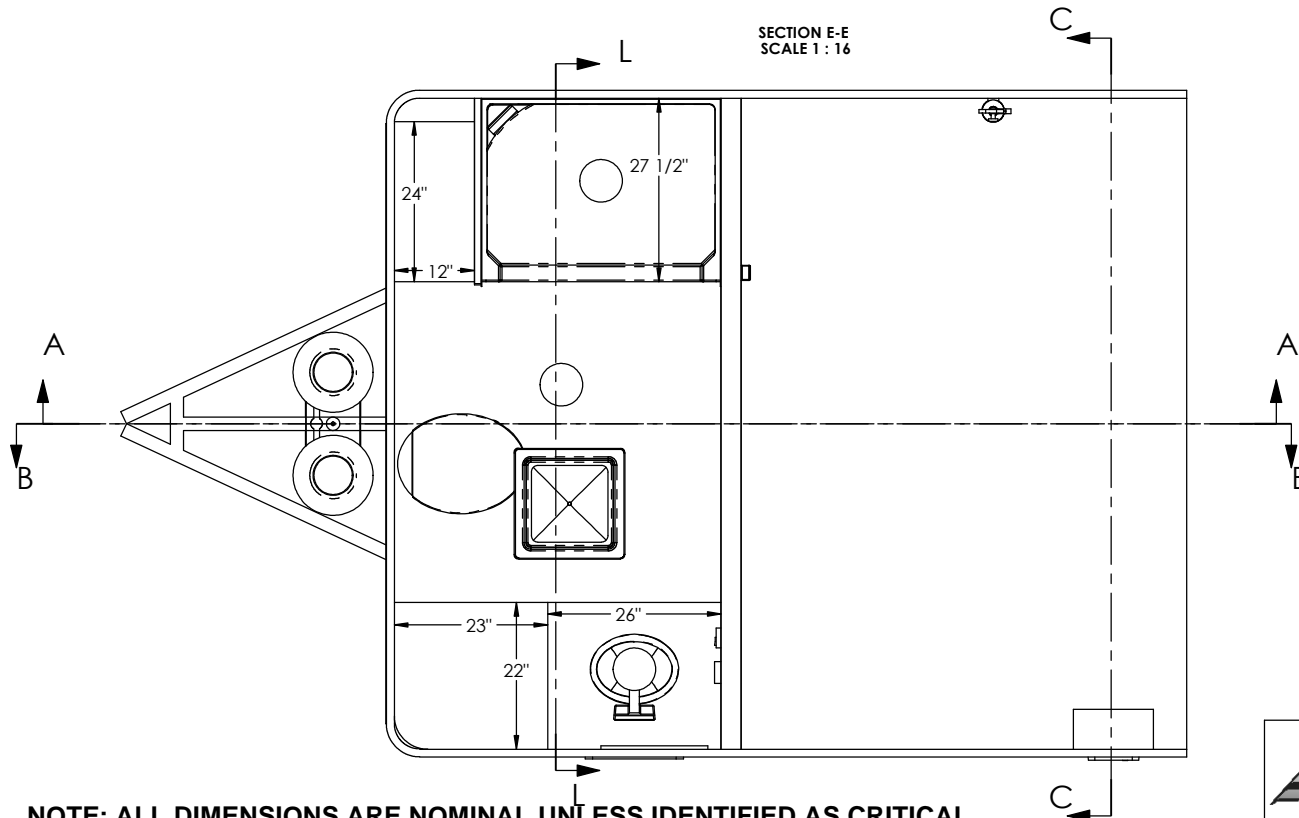
DRAWN BY: LDS	DATE: 1/20/15	VIN/PART #	REV. A
FILE NAME: S3-Flat Front			
SCALE: 1:20	DATE PRINTED: 7/22/2015	SHEET 1 OF 5	

REV.	DESCRIPTION	DATE	DONE BY
A	ADDED PART WALL; ADDED TOEKICK TO LINEN CLOSET	2/12/2015	LDS
REVISION TABLE			

DWG PATH: X:\Options\S-PKG\



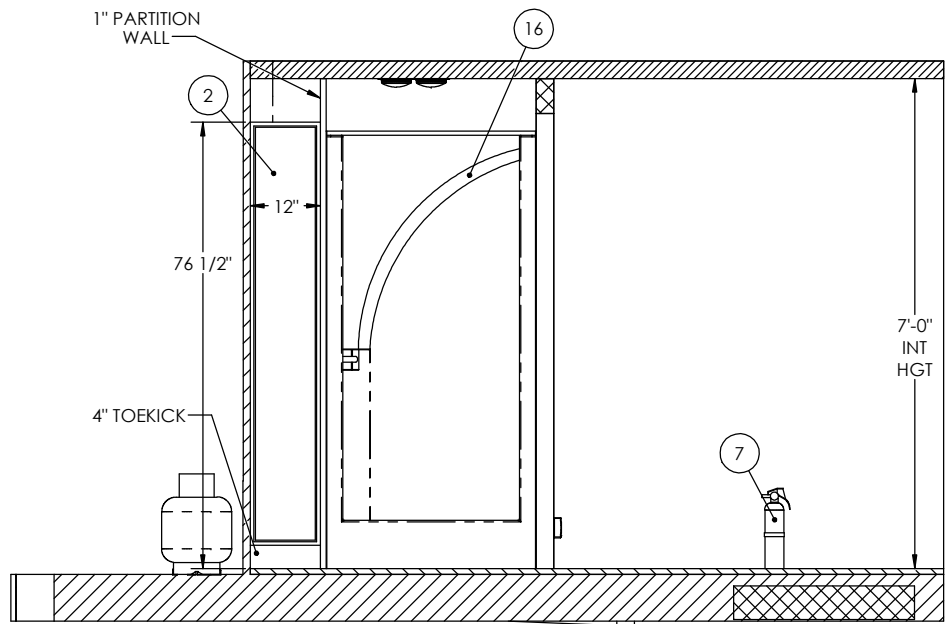
SECTION E-E
SCALE 1 : 16



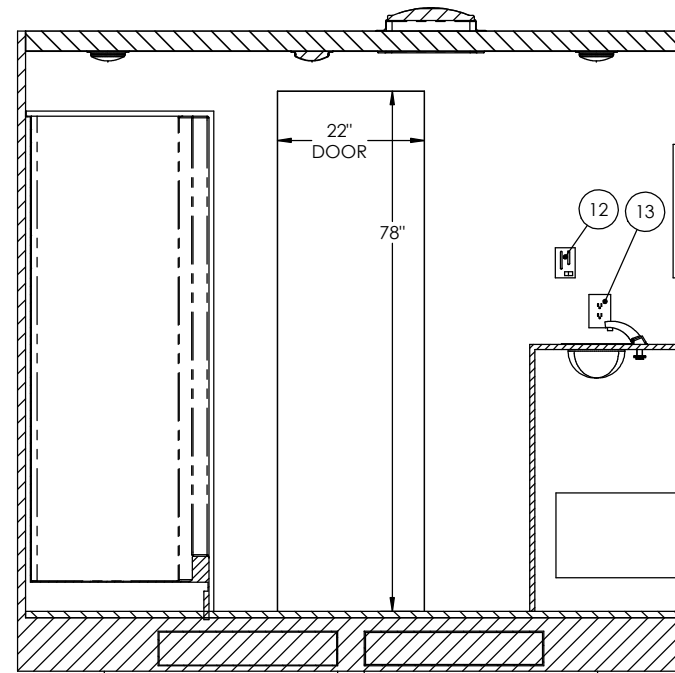
NOTE: ALL DIMENSIONS ARE NOMINAL UNLESS IDENTIFIED AS CRITICAL



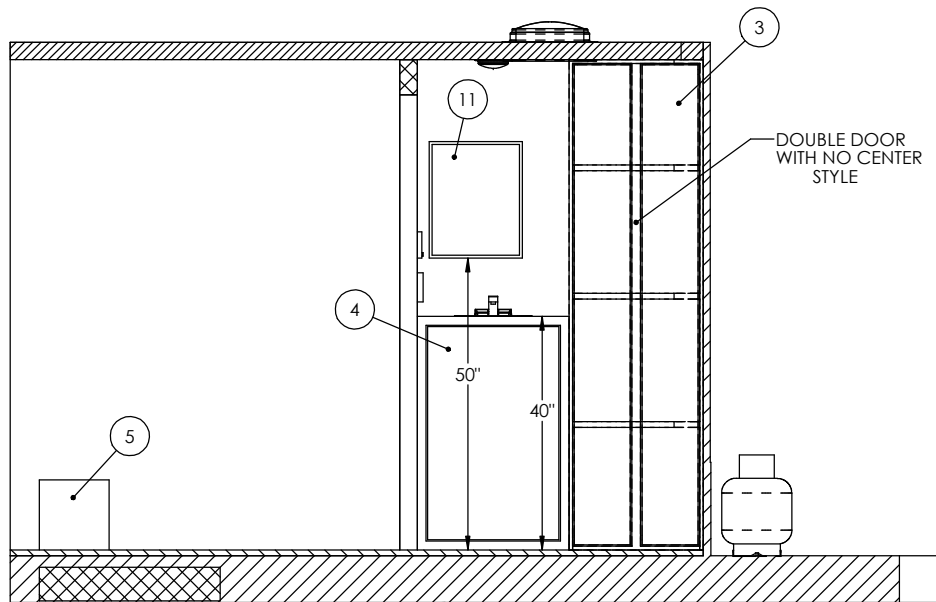
TITLE: S3 - FLAT FRONT			
DRAWN BY: LDS	DATE: 1/20/15	VIN/PART #	REV. A
FILE NAME: S3-Flat Front		STD PKG	
SCALE: 1:20	DATE PRINTED: 7/22/2015	SHEET 2 OF 5	




INTERIOR CURB SIDE
SECTION A-A

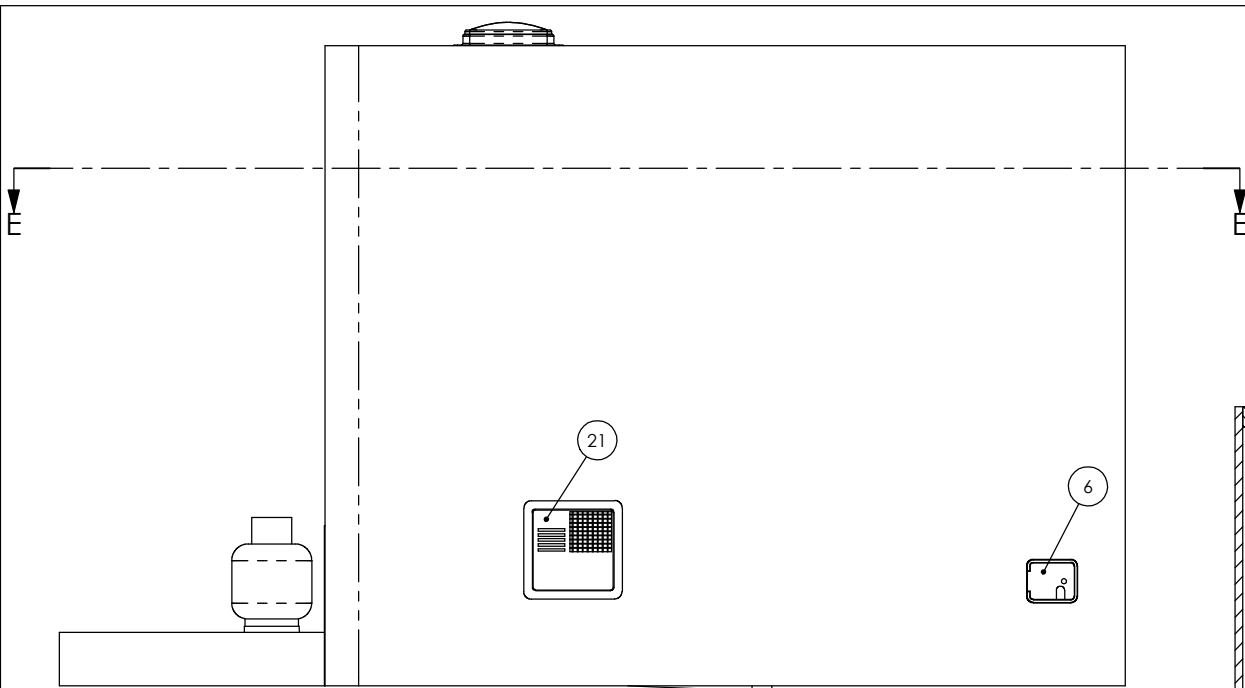


SECTION I-I
SCALE 1 : 14

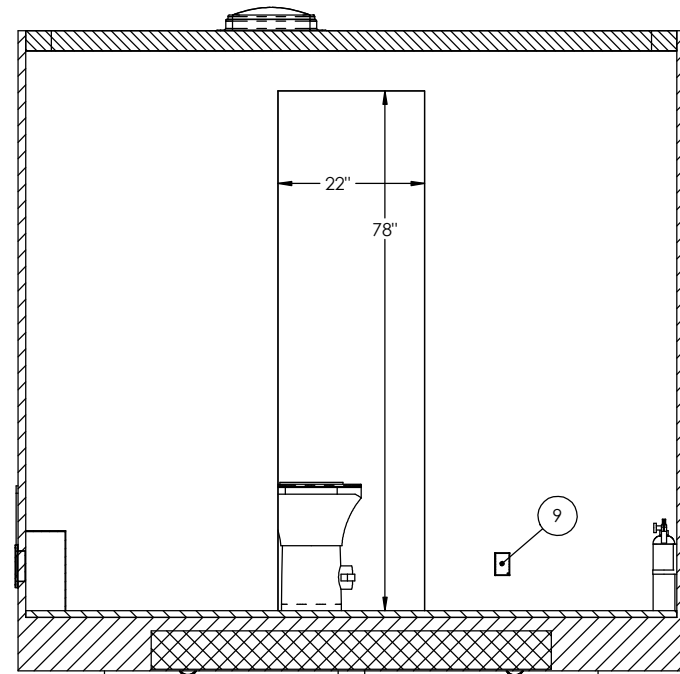


INTERIOR ROAD SIDE
SECTION B-B

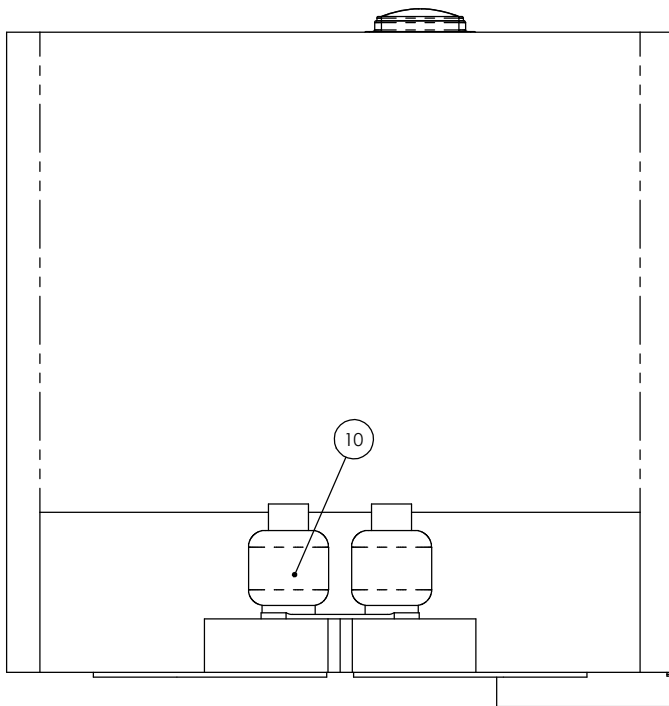
	TITLE: S3 - FLAT FRONT			REV.
	DRAWN BY: LDS	DATE: 1/20/15	VIN/PART #	STD PKG A
	FILE NAME: S3-Flat Front			
	SCALE: 1:20	DATE PRINTED: 7/22/2015	SHEET 3 OF 5	




EXTERIOR ROAD SIDE



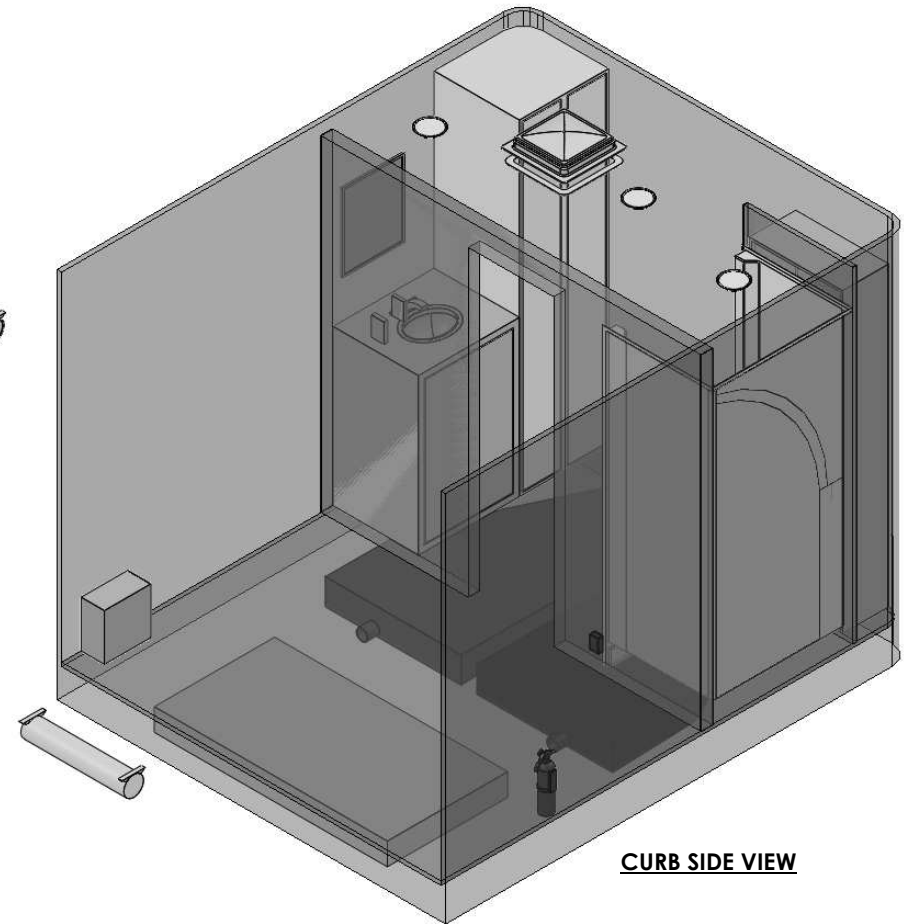
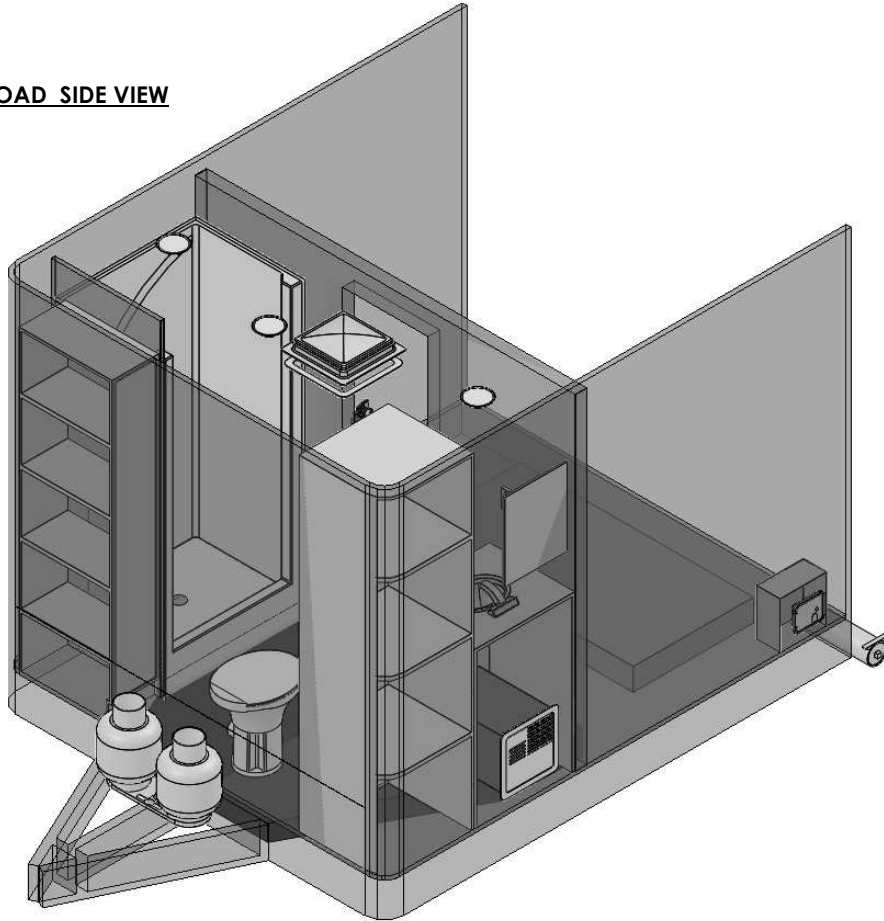
**INTERIOR FRONT
SECTION C-C**




EXTERIOR FRONT

	TITLE: S3 - FLAT FRONT			REV.
	DRAWN BY: LDS	DATE: 1/20/15	VIN/PART #	STD PKG A
	FILE NAME: S3-Flat Front			
	SCALE: 1:16	DATE PRINTED: 7/22/2015	SHEET 4 OF 5	

ROAD SIDE VIEW



CURB SIDE VIEW

	TITLE: S3 - FLAT FRONT			
	DRAWN BY: LDS	DATE: 1/20/15	VIN/PART #	REV. A
	FILE NAME: S3-Flat Front			
	SCALE: 1:24	DATE PRINTED: 7/22/2015	SHEET 5 OF 5	