

12	WATER TANK	W0019 19.5GAL.	1
11	WASTE TANK	H469 8.5GAL	1
10	TOILET PLATFORM		1
9	TOILET	DOMETIC 111	1
8	SEWER HOSE COMP.		1
6	ROOF VENT		1
4	LIGHT - FLUORESCENT	12" 12V	1
3	CABINET-S1		1
2	CAB STORAGE S-PKG		1
1	BATTERY BOX PLASTIC	BATTERY - 540 COLD CRANK	1
ITEM NO.	PART NUMBER	DESCRIPTION	QTY.

BOM TABLE

TITLE: S1 BATHROOM PACKAGE

DRAWN BY: NjM DATE: 9/7/12 VIN/PART # REV.

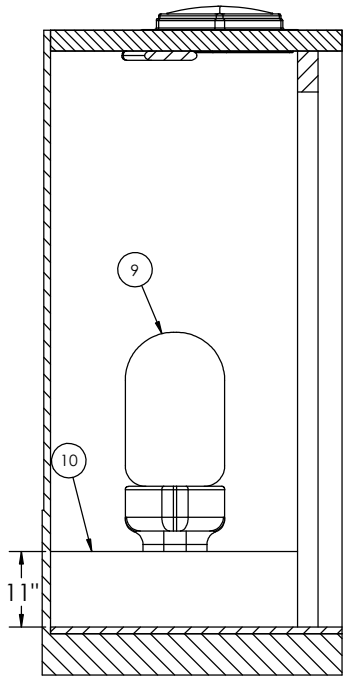
FILE NAME: S1 SCALE:1:12 DATE PRINTED: 9/7/2012 SHEET 1 OF 4

ALL LOCATIONS ARE NOMINAL UNLESS CRITICAL DIMENSIONS ARE SPECIFICALLY NOTED

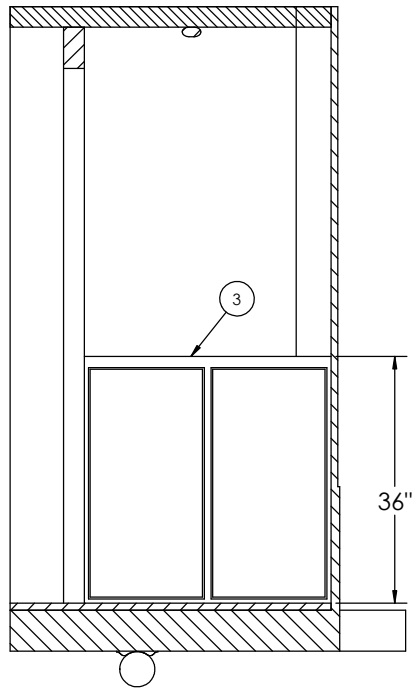
PROPRIETARY AND CONFIDENTIAL: THE INFORMATION CONTAINED IN THIS DRAWING IS THE SOLE PROPERTY OF THE ALUMINUM TRAILER COMPANY. ANY REPRODUCTION IN PART OR AS A WHOLE WITHOUT THE WRITTEN PERMISSION OF THE ALUMINUM TRAILER COMPANY IS PROHIBITED.



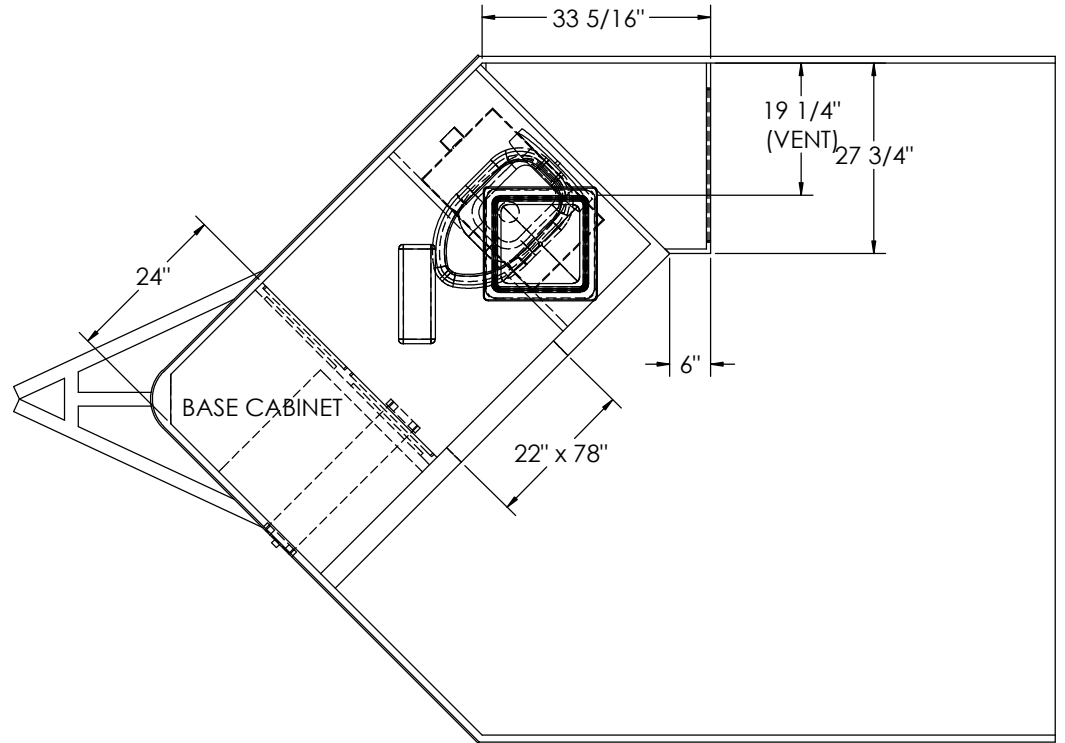
REV.	DESCRIPTION	DATE	APPROVED
REVISION TABLE			
DWG PATH: X:\Templates, Options, Extrusions, etc\Options\S-PKG\			



SECTION A-A

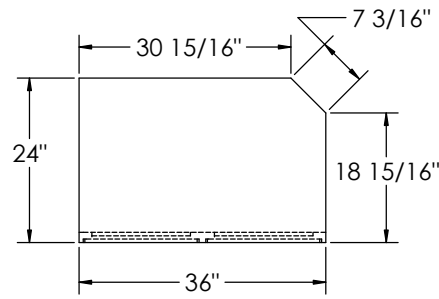
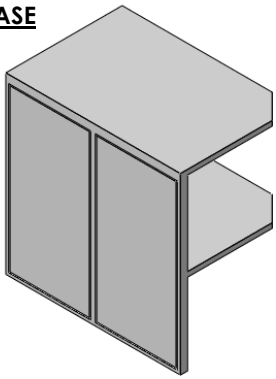


SECTION B-B

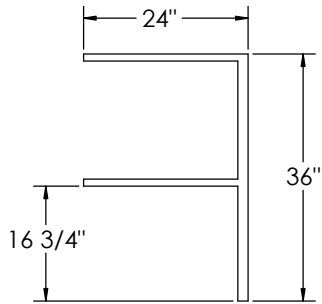


TITLE: S1 BATHROOM PACKAGE			
DRAWN BY: NjM	DATE: 9/7/12	VIN/PART #	REV.
FILE NAME: S1			
SCALE: 1:14	DATE PRINTED: 9/7/2012	SHEET 2 OF 4	

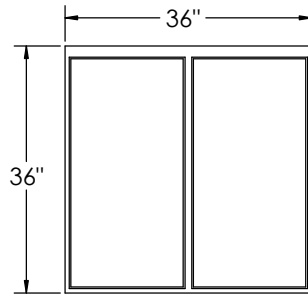
BASE



TOP VIEW

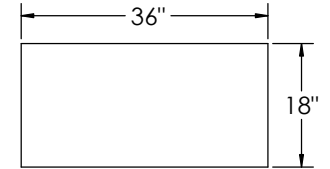
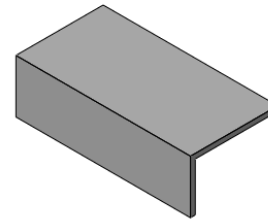


SIDE VIEW

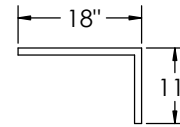


FRONT VIEW

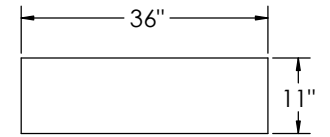
STOOL PLATFORM



TOP VIEW

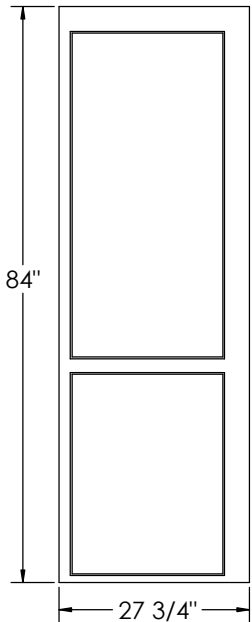


SIDE VIEW

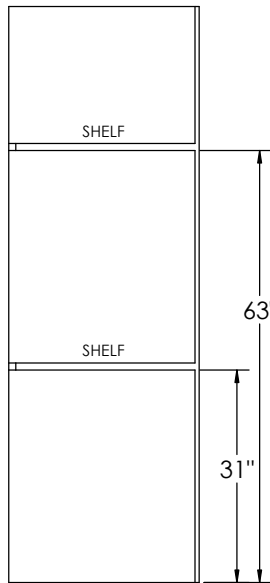


FRONT VIEW

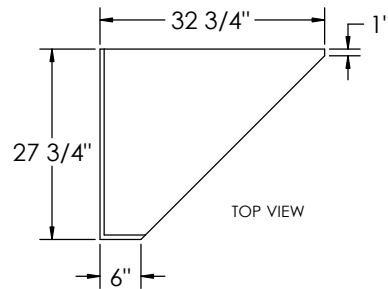
STORAGE CABINET



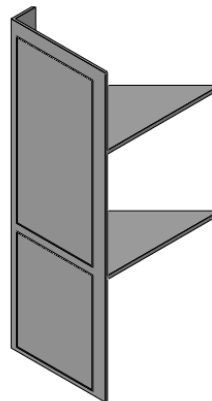
FRONT VIEW



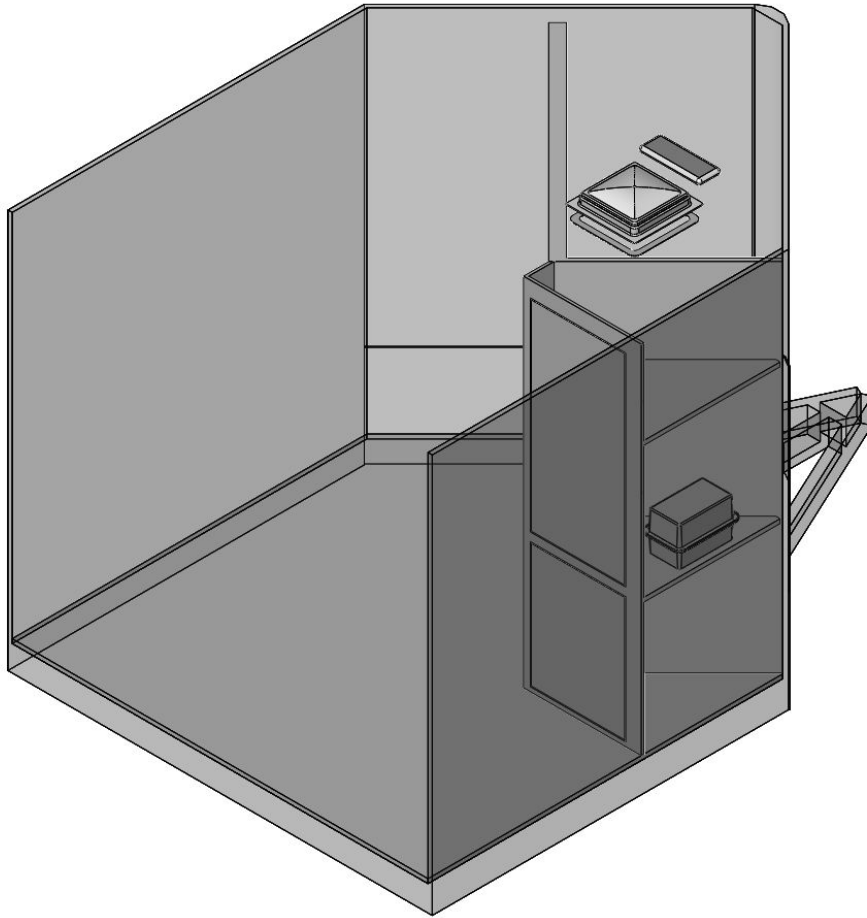
INSIDE (REAR) VIEW



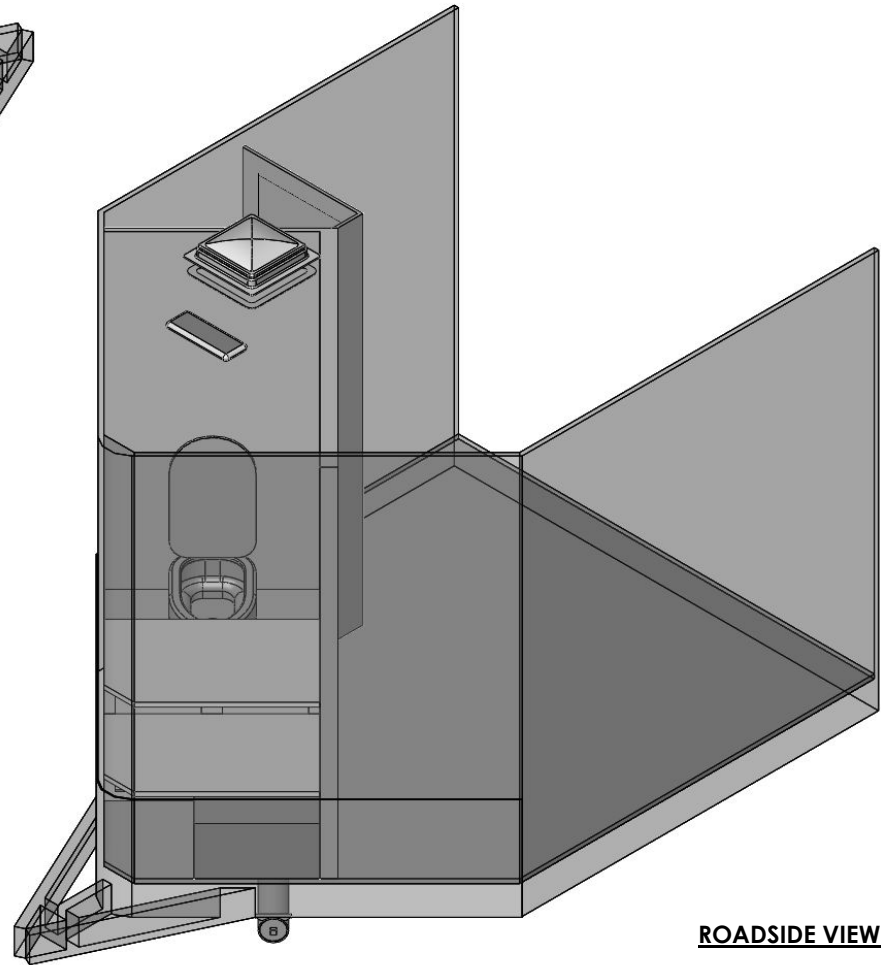
TOP VIEW



TITLE: S1 BATHROOM PACKAGE			
DRAWN BY: NjM	DATE: 9/7/12	VIN/PART #	REV.
FILE NAME: CAB STORAGE S-PKG			
SCALE: 1:14	DATE PRINTED: 9/7/2012	SHEET 3 OF 4	



CURBSIDE VIEW



ROADSIDE VIEW



TITLE: S1 BATHROOM PACKAGE			
DRAWN BY: NjM	DATE: 9/7/12	VIN/PART #	REV.
FILE NAME: S1			
SCALE: 1:16	DATE PRINTED: 9/7/2012	SHEET 4 OF 4	